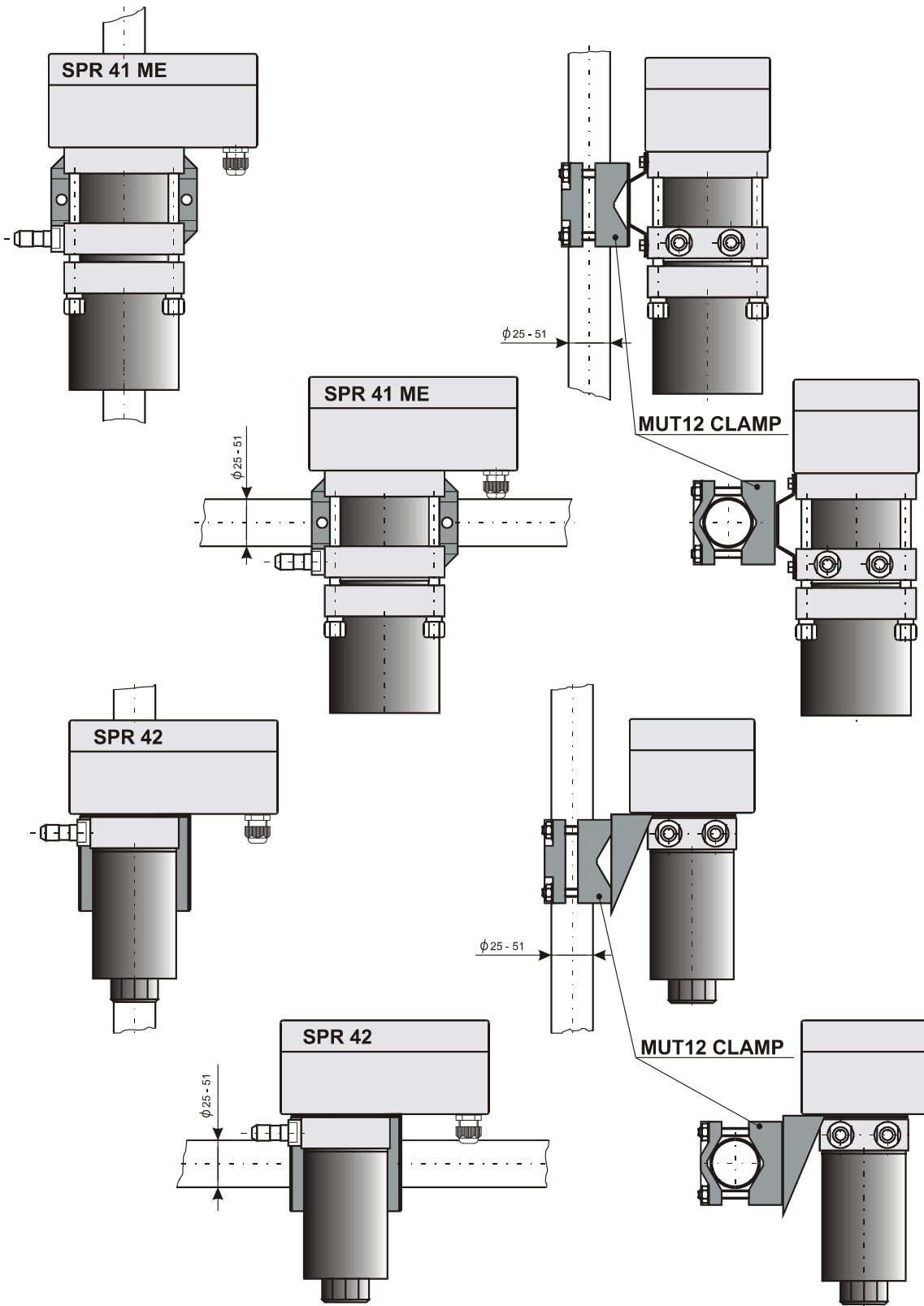


Dimensions in mm



MUT 12 Clamp with SPR Probes